

HAAS  
+  
SOHN

## Aurora/Vento/Vista

---

**Equipment sheet**  
Fireplace stove

**GB**

# Introduction

**We thank you very much for purchasing our product!**

The description of the heating device will inform you in detail about the design, technical specification and operation of the heating device. We recommend you to acquaint yourselves closely with these data. In this way, you will avoid possible faults during the proper assembly and operation.

**You will find** detailed conditions of installation and operation in General Manual of Operation (included in the scope of the delivery).

## Notes in the text

GB



Of utmost importance there are the notes entitled **WARNING**. The notes entitled **WARNING** advise you on **serious danger of damage to the heating device or of an injury**.



The note entitled **Notice** advises you on possible damage to your heating device.



The note entitled **Important** calls your attention to the information important for the operation of your heating device.

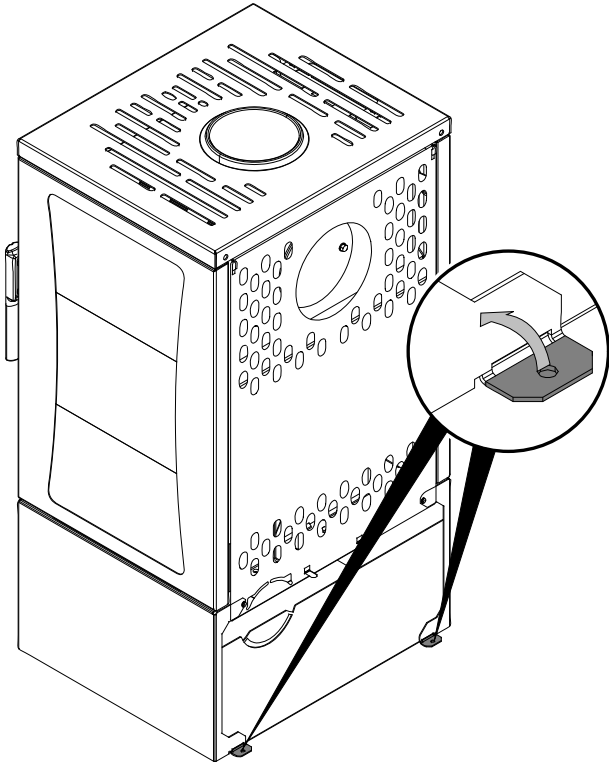


The note itself calls your attention to the information important for the operation of your heating device in general.

# Contents

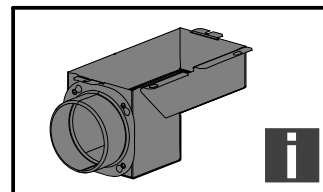
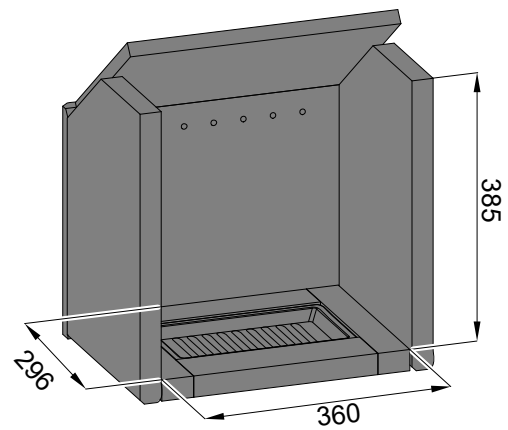
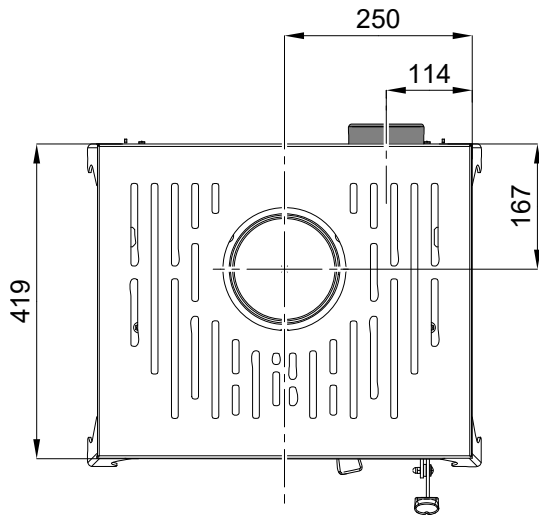
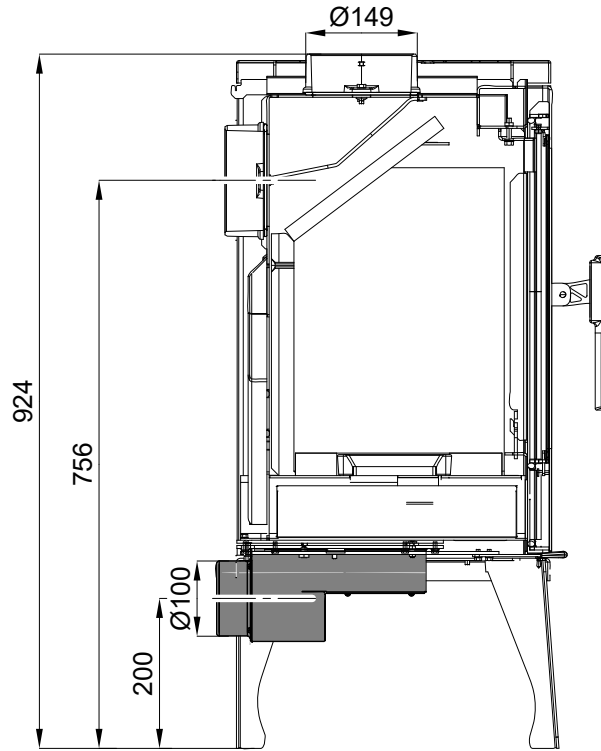
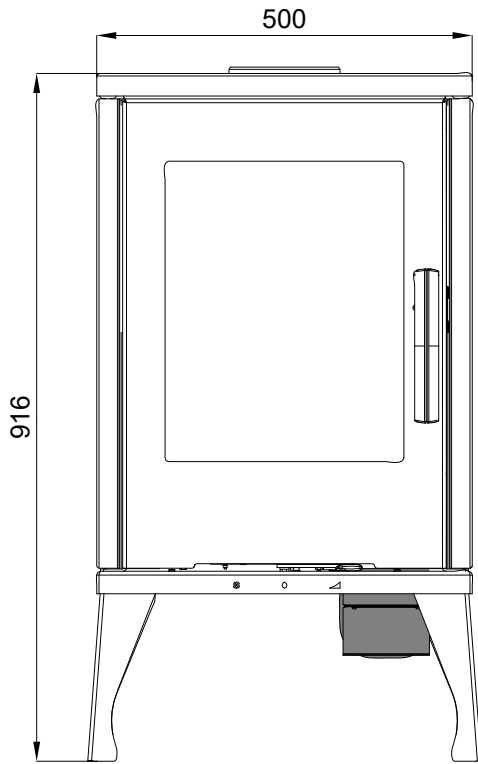
<b>1. Technical description</b> .....	1
1.1. Aurora .....	1
1.2. Vento+Vista.....	2
<b>2. List of spare parts</b> .....	3
2.1. Overall scheme of the model Aurora .....	3
2.2. Overall scheme of the model Vento+Vista .....	5
2.3. Detail A1 .....	7
<b>3. Easy control</b> .....	8
<b>4. Change of the smoke neck</b> .....	9
<b>5. Installation of external air input</b> .....	10
5.1. Aurora .....	10
5.2. Vento+Vista.....	11
<b>6. Fixing the door in the open position</b> .....	12

# Vento, Vista



# 1. Technical description

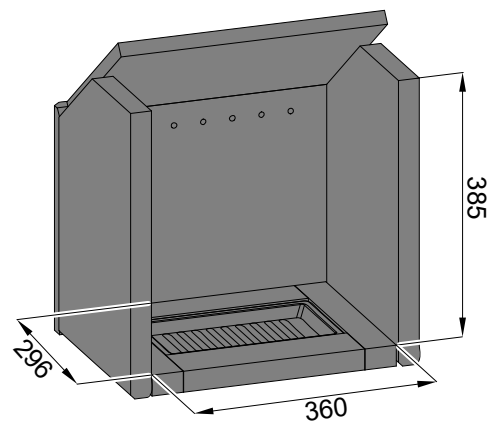
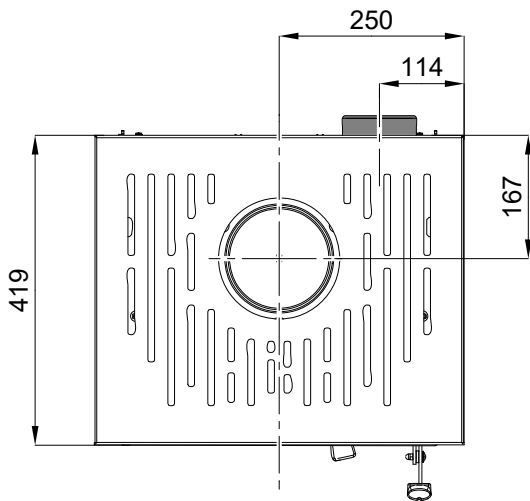
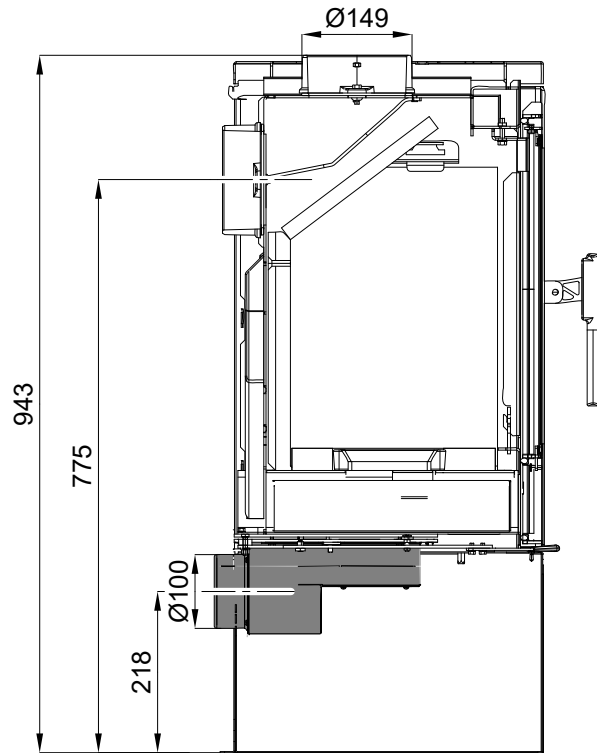
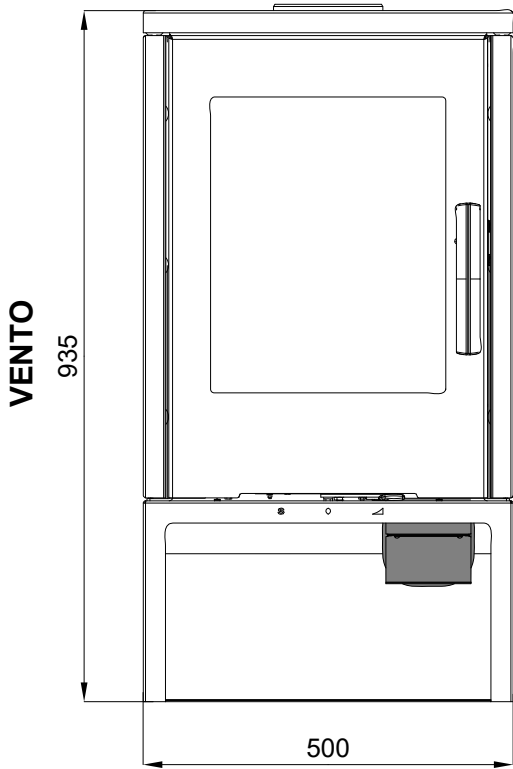
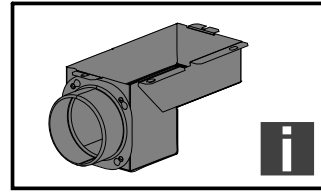
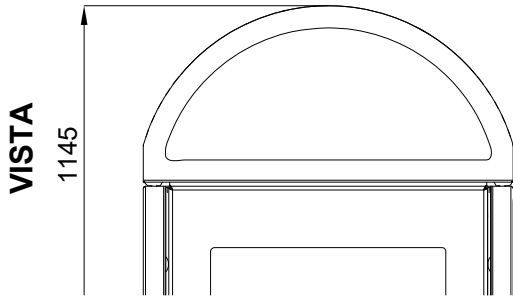
## 1.1. Aurora



Note

Not included in the scope of the delivery, nr. of goods 0424637501300 (chapter 6).

## 1.2. Vento+Vista

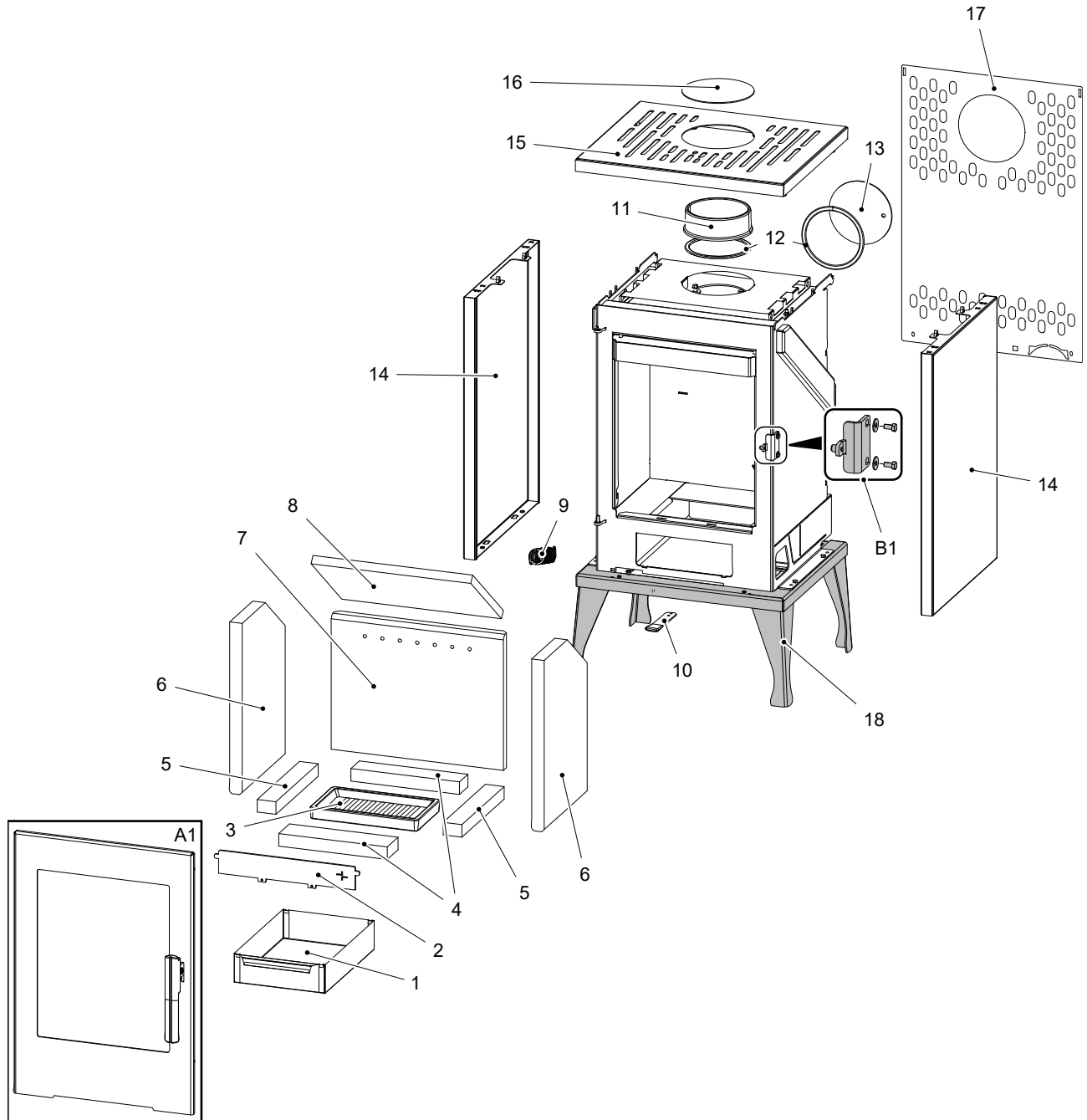


Note

Not included in the scope of the delivery, nr. of goods 0424637501300 (chapter 6).

# 2. List of spare parts

## 2.1. Overall scheme of the model Aurora



List of spare parts

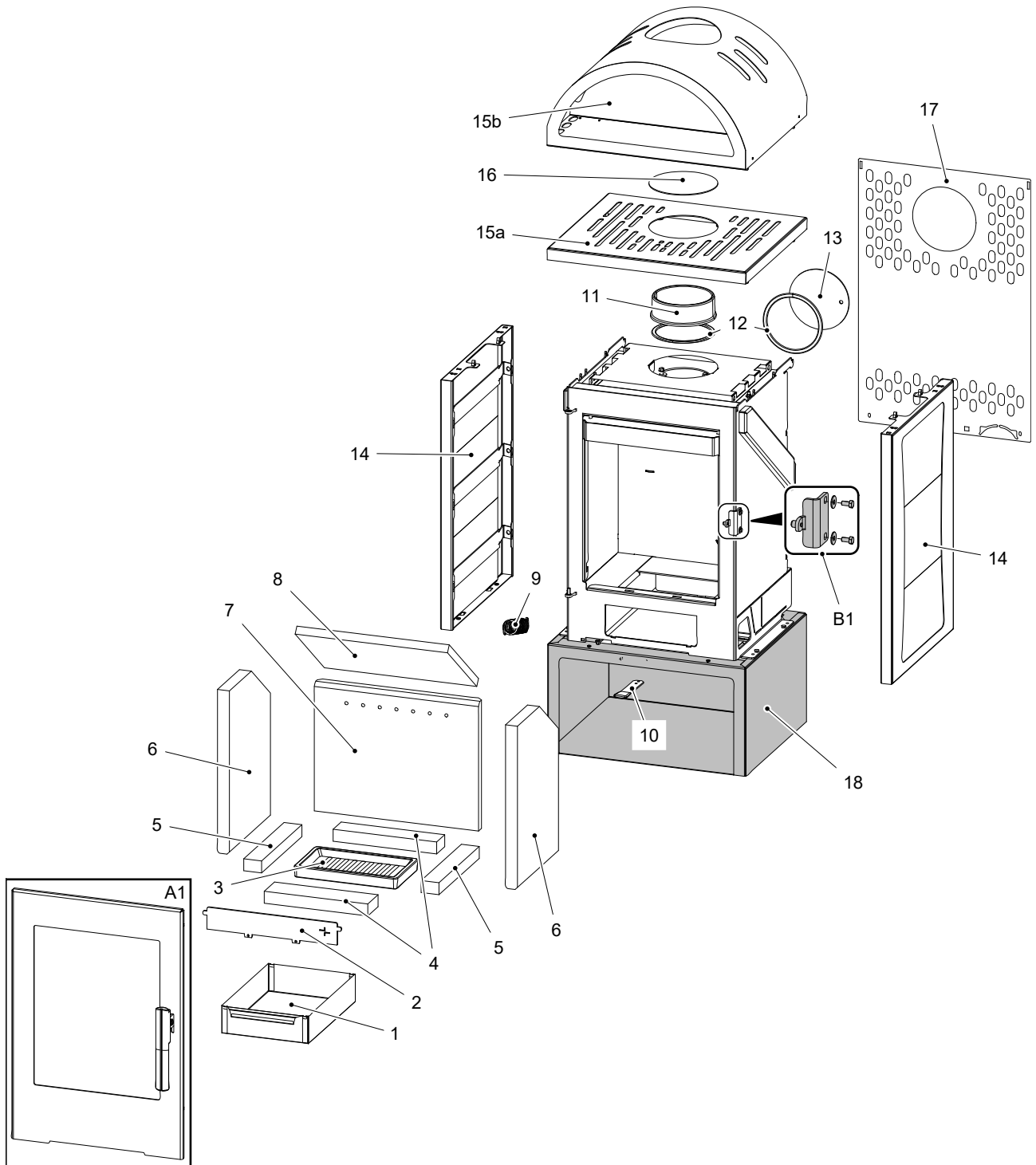
GB

Item	Name	Quantity	Number of goods
<b>Overall scheme of the model</b>			
<b>A1</b>	Fire-box door (complete)/black	1 piece	0424637505300
<b>B1</b>	Door lock (complete)	1 piece	0424637005001
<b>1</b>	Ashpan	1 piece	0424617405600

<b>2</b>	Protection/black	1 piece	0424617405005
<b>3</b>	Fire grate/black	1 piece	0429415005005
<b>4</b>	Brick 30x55x261	2 piece	0424637505506
<b>5</b>	Brick 30x45x275	2 piece	0424637505505
<b>6</b>	Lateral brick (30x275x410)	2 piece	0424637505502
<b>7</b>	Rear brick (30x332x414)	1 piece	0424637505501
<b>8</b>	Screen loose (vermiculite)	1 piece	0424617405504
<b>9</b>	Door spring	1 piece	0428612005002
<b>10</b>	Control drawbar/black	1 piece	0424637005015
<b>11</b>	Smoke flue neck/black	1 piece	0494015005020
<b>12</b>	Smoke flue sealing 10x4 mm	470 mm	0040210040005
<b>13</b>	Smoke flue blind flange/black	1 piece	0424617405011
<b>14</b>	Lateral lining/black	2 piece	0424637505700
<b>15</b>	Top cover/black	1 piece	0424637505600
<b>16</b>	Upper blind flange/black	1 piece	0424637505010
<b>17</b>	Rear cover	1 piece	0424637505012
<b>18</b>	Base/black	1 piece	0424637505800



## 2.2. Overall scheme of the model Vento+Vista



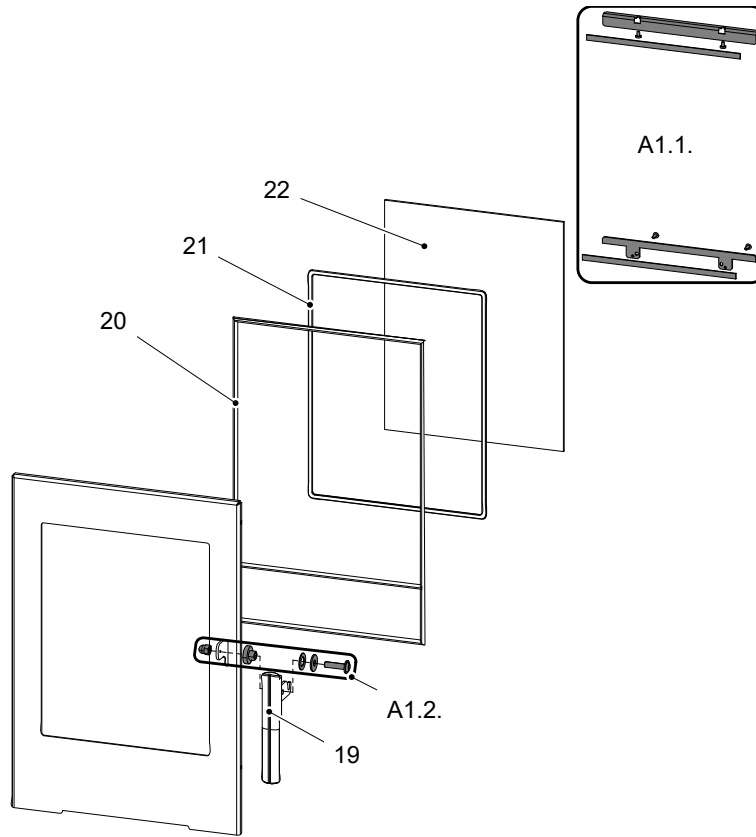
List of spare parts

GB

Item	Name	Quantity	Number of goods
<b>Overall scheme of the model Vento+Vista</b>			
<b>A1</b>	Fire-box door (complete)/black	1 piece	0424637505300
<b>B1</b>	Door lock (complete)	1 piece	0424637005001
<b>1</b>	Ashpan	1 piece	0424617405600
<b>2</b>	Protection/black	1 piece	0424617405005

<b>3</b>	Fire grate/black	1 piece	0429415005005
<b>4</b>	Brick 30x55x261	2 piece	0424637505506
<b>5</b>	Brick 30x45x275	2 piece	0424637505505
<b>6</b>	Lateral brick (30x275x410)	2 piece	0424637505502
<b>7</b>	Rear brick (30x332x414)	1 piece	0424637505501
<b>8</b>	Screen loose (vermiculite)	1 piece	0424617405504
<b>9</b>	Door spring	1 piece	0428612005002
<b>10</b>	Control drawbar/black	1 piece	0424637005015
<b>11</b>	Smoke flue neck/black	1 piece	0494015005020
<b>12</b>	Smoke flue sealing 10x4 mm	470 mm	0040210040005
<b>13</b>	Smoke flue blind flange/black	1 piece	0424617405011
<b>14</b>	Ceramic lateral lining	2 piece	0424637505750
<b>15a</b>	Top cover - Vento/black	1 piece	0424637505600
<b>15b</b>	Top cover - Vista/black	1 piece	0424637515600
<b>16</b>	Upper blind flange/black	1 piece	0424637505010
<b>17</b>	Rear cover	1 piece	0424637505012
<b>18</b>	Base/black	1 piece	0424637545800

## 2.3. Detail A1



Item	Name	Quantity	Number of goods
<b>Detail A1</b>			
<b>A1.1.</b>	Glass holder – set/black	1 piece	0424637005303
<b>A1.2.</b>	Handle connecting material – set	1 piece	0424637005315
<b>19</b>	Fire-box door lever lock (complete)	1 piece	0424637005310
<b>20</b>	Door sealing cord 12 mm	2200 mm	0041012120005
<b>21</b>	Glass sealing cord 8x2 mm	1500 mm	0040208020006
<b>22</b>	Refractory glass (4x338x431)	1 piece	0424637005301

# 3. Easy control

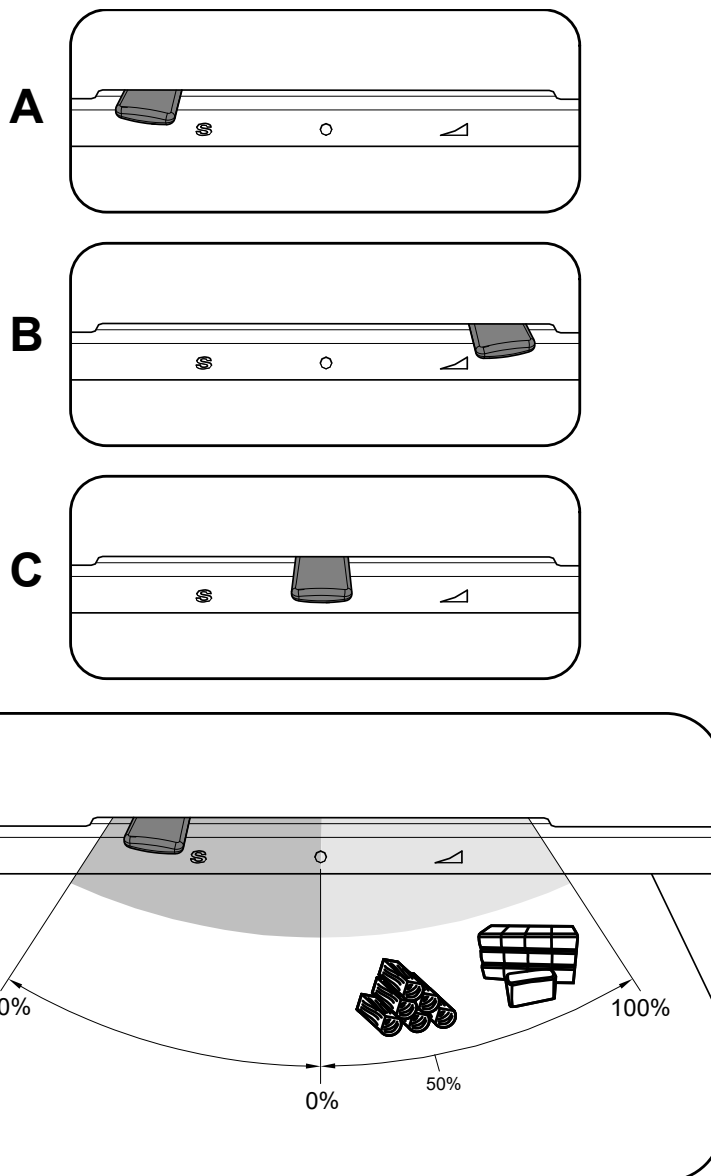
Control of all three air inputs - primary, secondary, tertiary - by means of one sole controller.

1. The controller is in the position intended for ignition (fig. A). All three air inputs are open (primary, secondary, tertiary).
2. The controller is in the position intended for burning of the stove after ignition (fig. B).
3. The controller is in the position designed to close air inputs (Fig. C). No input is open (primary, secondary, tertiary). This position is used only when the stove is out of operation, after finishing the heating process.



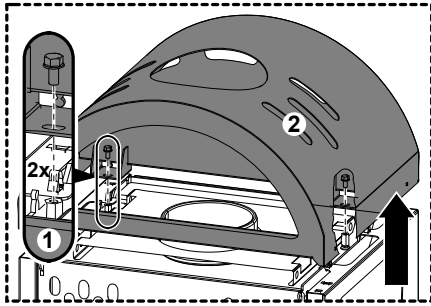
## WARNING

Air inputs may not be closed during the heating operation (Fig. C)! In an extreme case, there can occur an explosion in the stove followed by breaking of glass, blowing up of cinders across the room and breaking out of the fire.

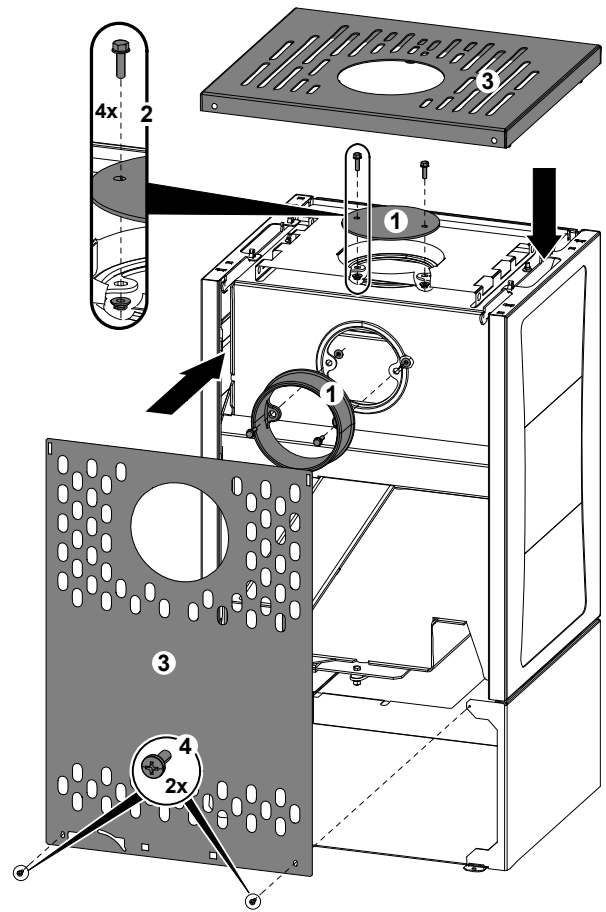
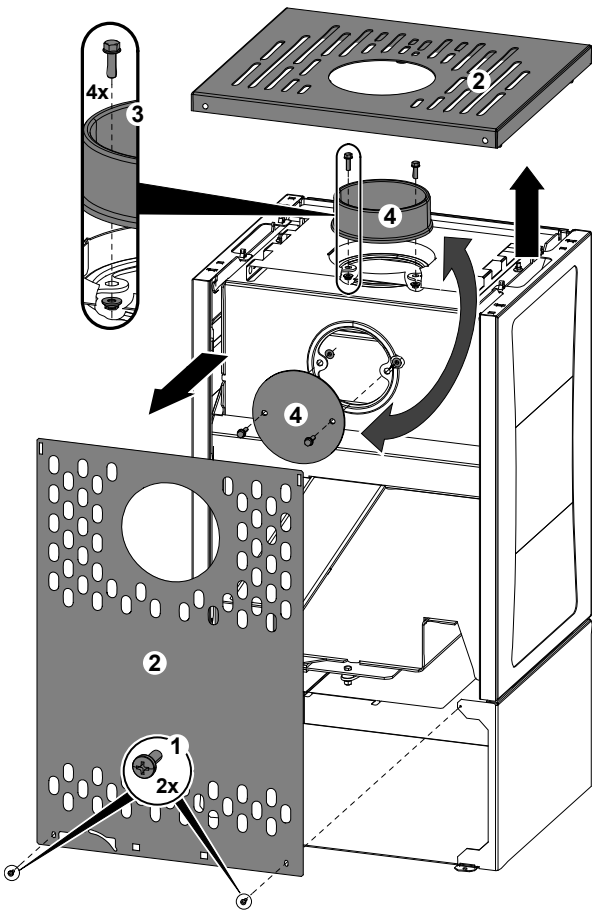
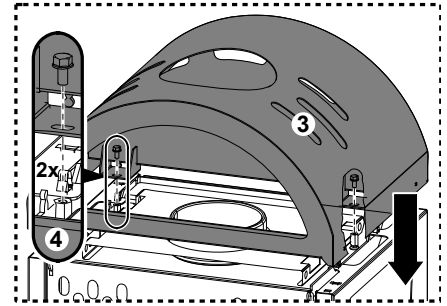


# 4. Change of the smoke neck

1



2



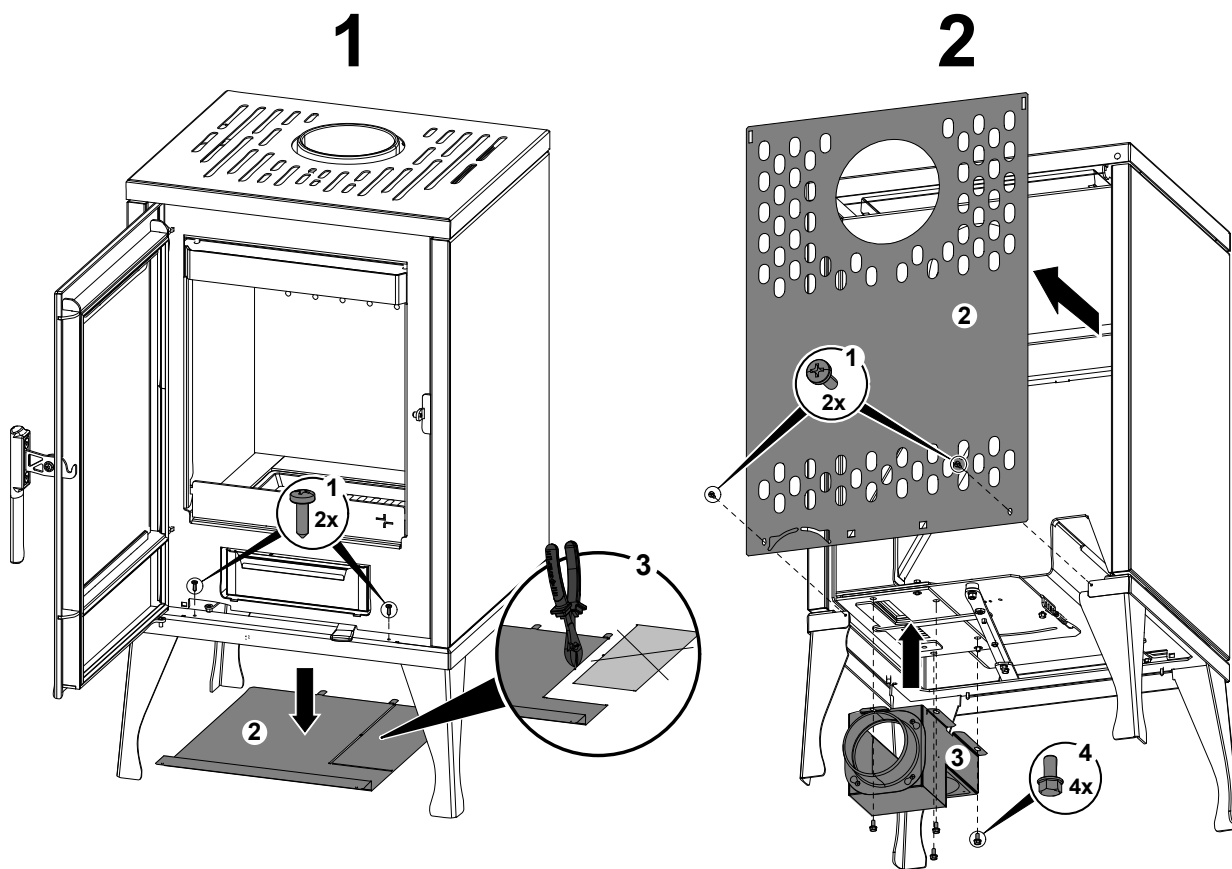
Change of the smoke neck

GB

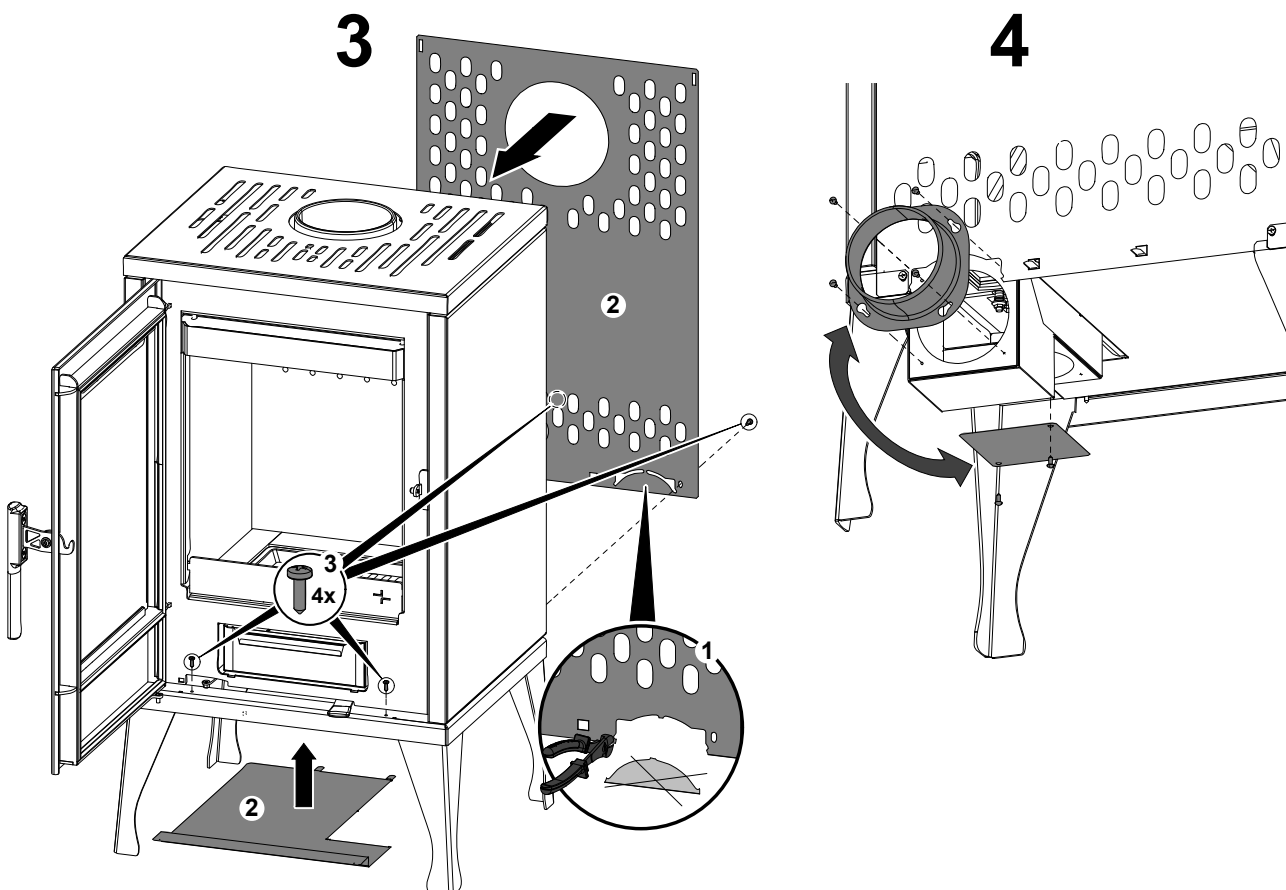
# 5. Installation of external air input

## 5.1. Aurora

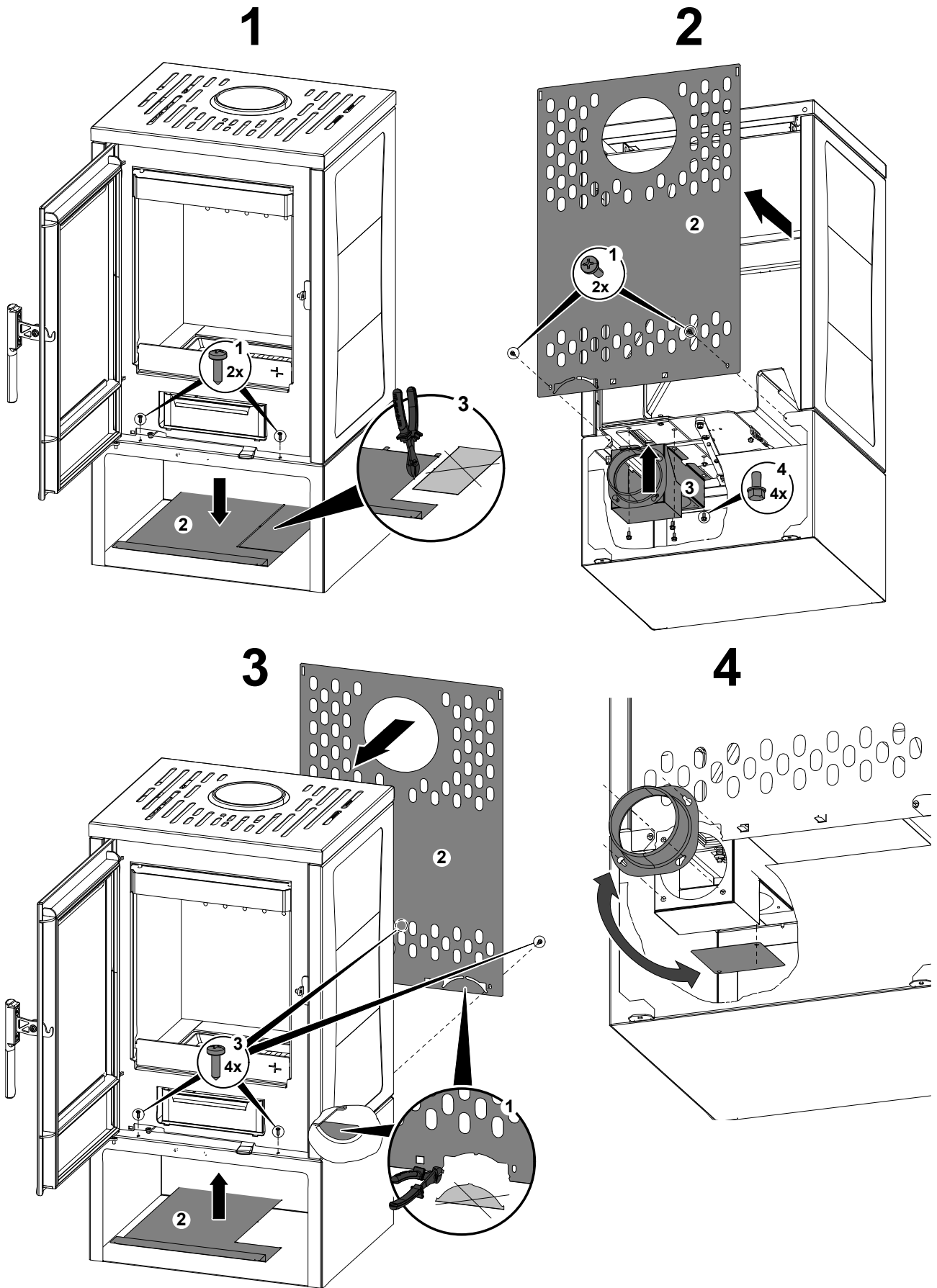
Installation of external air input



GB



## 5.2. Vento+Vista



Installation of external air input

GB

## 6. Fixing the door in the open position

You can fix the combustion chamber door in the open position to make cleaning more convenient. Use the latch to lock the door open, as shown in the image below.



### WARNING

Never leave the door open during heating!

