

JK 06 180 18 05 14 02
04062008a-GB

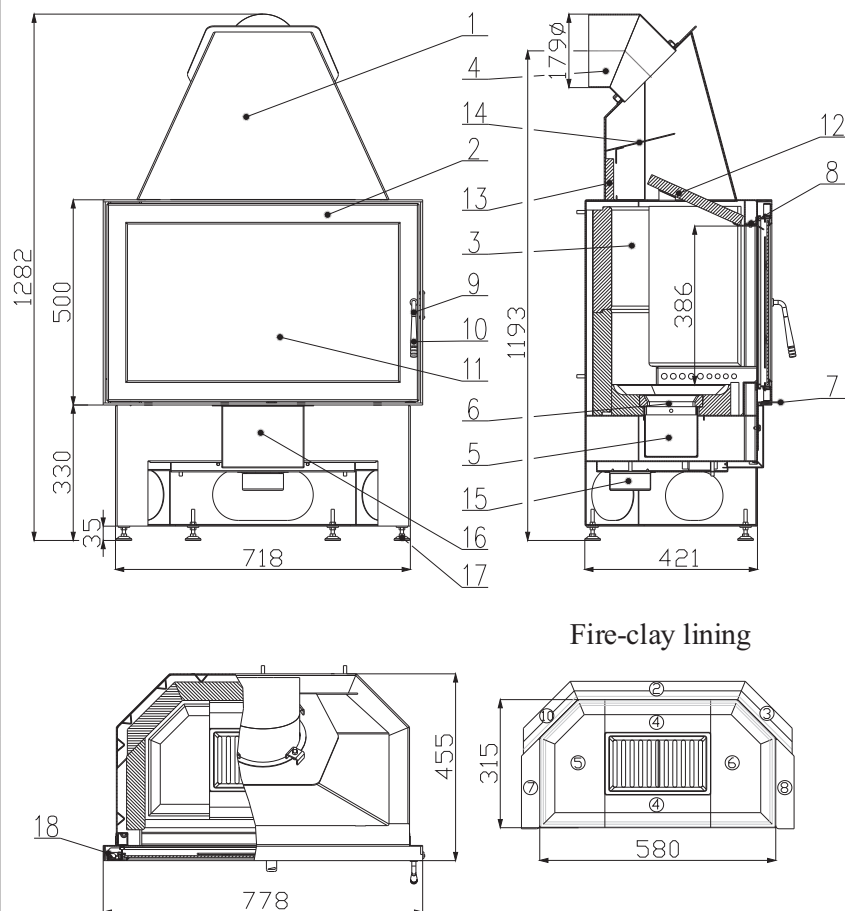
HAAS+SOHN
HAAS+SOHN Rukov, s.r.o. • www.haassohn-rukov.cz

TECHNICAL DOCUMENTATION KOMFORT II



ASSEMBLY GENUA II





Fire-clay lining

TECHNICAL SHEET for fireplace insert **Komfort II**

Suitable fuel:

As concerns suitable fuel to be employed, see the chapter **2.2 Fuel** in the General Manual of Operation.

Proper operation:

As concerns the proper and safe operation with a fireplace insert see the chapters **2. Description of the combustion process** and **5. Operating instructions** in the General Manual of Operation.

Ordering number of the shaped block	Dimension	Ordering number of the shaped block	Dimension
10	258x208x45	5	315x160x75
8	394x220,5x45	4	260x90x75
7	394x220,5x45	3	258x208x45
6	315x160x75	2	430x258x45

TECHNICAL DESCRIPTION:

Position	Name	Goods No.	Position	Name	Goods No.
1	Insert body	-			
2	Fire-box door	0618018025300			
3	Fire-clay lining	-			
4	Smoke flue neck (adjustable)	0618018016002			
5	Ash pan	0618018005600			
6	Cast-iron grate	0020100130006			
7	Controller of primary air	-			
8	Intake of secondary air	-			
9	Crank	0081220020005			
10	Handle	0081220040005			
11	Refractory glass	0618018025301			
12	Lower lip - loose	0050500040005			
13	Rear lip - loose	0050500050005			
14	Upper lip - fixed	-			
15	External intake of air (dia. 100)	0088500050006			
16	Additional air suction	0618018035001			
17	Adjustable foot	0089000020005			
18	Spring of door shutting	0088400060005			
	Sealing cord of the door 10x4 mm	0040210040005			
	Sealing cord of the glass 10 mm	0040010100005			

TECHNICAL INFORMATION

INSTRUCTIONS FOR THE CONTROL OF COMBUSTION PROCESS:

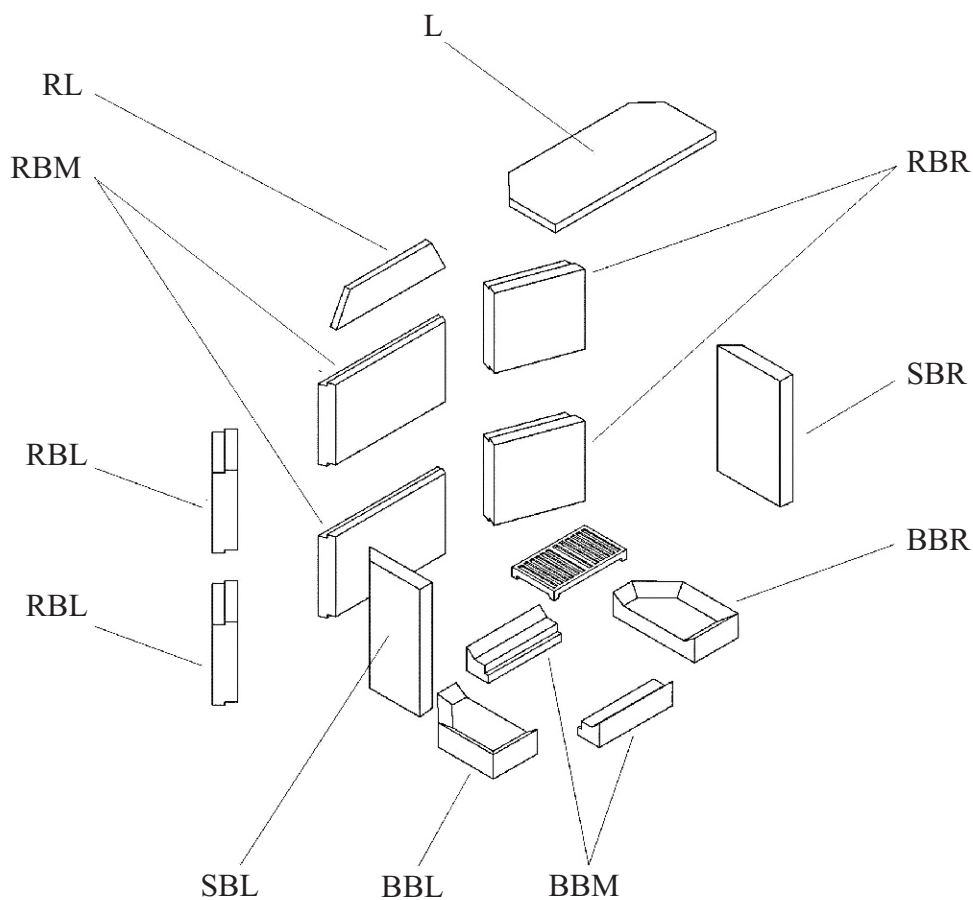
Fuel	Output of the heating device		Output of the heating device		Output of the heating device	
	100%	33%	100%	33%	100%	33%
	Amount of fuel		Primary air		Secondary air	
Blockwood	2,5 kg/h	0,8 kg/h	open 100%	open 50%	open 100%	open 100%
Ecological briquettes	2 kg/h	0,7 kg/h	open 100%	open 50%	open 100%	open 100%

TECHNICAL DATA:	Wood	Ecological briquettes	
Achieved heat output (100%)	8,8 kW	8,8 kW	Height
Nominal heat output	8 kW	8 kW	Width
Reduced heat output (33%)	2,9 kW	2,9 kW	Depth
Maximum stoking amount of the fuel	2,5 kg/h	2 kg/h	Diameter of the smoke flue
Average temperature of combustion products behind the smoke flue neck	271 °C	295 °C	Weight
Maximum mass flow of dry combustion products	8 g/s	8 g/s	Min. chimney stack draught in the smoke flue neck
Energy efficiency	77,7 %	75,2 %	Heating capacity (middle heat losses) at 8,8 kW
Average concentration of CO ₂	10	9,5	Range of outputs
Concentration of CO in combustion products at 13% O ₂	0,12	0,08	

Tested in compliance with EN 13 229:2002 and ČSN 06 1008:1997



INSTALLATION OF HEARTH LINING



Composition of fireclay bricks

Fireclay No.	Type	Number	Goods No.	Fireclay No.	Type	Number	Goods No.
5	BBL (Bottom brick, left)	1	0050110490005	2	RBM (Rear brick, middle)	2	0050110060005
6	BBR (Bottom brick, right)	1	0050110500005	3	RBR (Rear brick, right)	2	0050110070005
4	BBM (Bottom brick, middle)	2	0050110480005	10	RBL (Rear brick, left)	2	0050110140005
8	SBR (Side brick, right)	1	0050110120005	-	RL (Rear lip)	1	0050500050005
7	SBL (Side brick, left)	1	0050110110005	-	L (Lip)	1	0050500040005